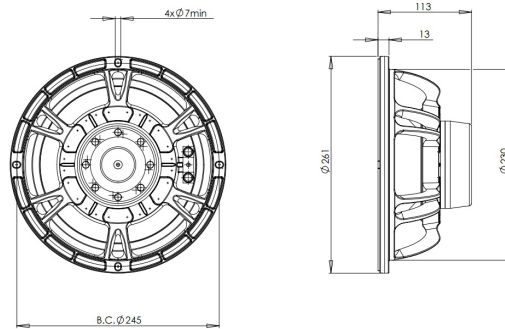


# 10NW64

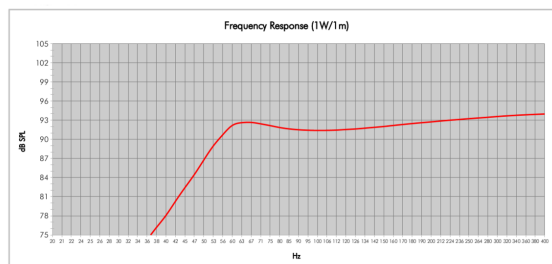
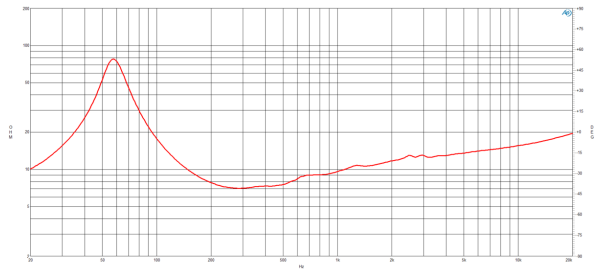
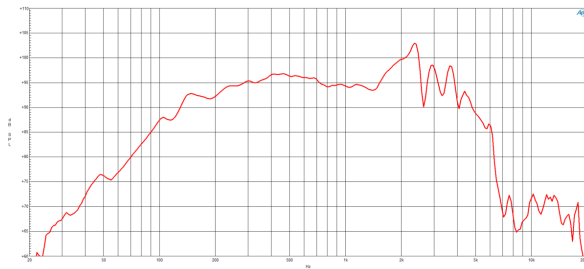
**8Ω****LF Drivers - 10.0 Inches**

- 600 W continuous program power capacity
- 64 mm (2.5 in) copper voice coil
- 60 - 2500 Hz response
- 96 dB sensitivity
- Neodymium magnet allows a very light yet powerful motor assembly
- Shorting copper cap for extended HF response
- Ventilated voice coil gap for reduced power compression



# 10NW64

LF Drivers- 10.0 Inches



Model:	<b>10NW64</b>	Configuration:	<b>One Driver</b>
Enclosure Type:	<b>Box Reflex</b>		
Internal Net Volume (liters):	<b>26</b>	Q <sub>b</sub> :	<b>7</b>
Tuning Frequency (Hz):	<b>59</b>	Port Area (cm <sup>2</sup> ):	<b>69.0</b>
Frequency (-3 dB) (Hz):	<b>58.4</b>	Port Length (cm):	<b>14.8</b>
Frequency (-10 dB) (Hz):	<b>47.3</b>		

## SPECIFICATIONS

Nominal Diameter	250 mm (10.0 in)
Nominal Impedance	8 Ω
Minimum Impedance	6.5 Ω
Nominal Power Handling <sup>1</sup>	300 W
Continuous Power Handling <sup>2</sup>	600 W
Sensitivity <sup>3</sup>	96.0 dB
Frequency Range	60 - 2500 Hz
Voice Coil Diameter	64 mm (2.5 in)
Winding Material	Copper
Former Material	Glass Fibre
Winding Depth	16.0 mm (0.62 in)
Magnetic Gap Depth	8.0 mm (0.31 in)
Flux Density	1.25 T

## DESIGN

Surround Shape	Double Roll
Cone Shape	Exponential
Magnet Material	Neodymium Inside Slug
Spider	Single
Pole Design	Straight Pole
Woofer Cone Treatment	TWP Waterproof Both Sides
Recommended Enclosure	26.0 dm <sup>3</sup> (0.92 ft <sup>3</sup> )
Recommended Tuning	59 Hz

## PARAMETERS<sup>4</sup>

Resonance Frequency	59 Hz
Re	5.2 Ω
Q <sub>es</sub>	0.27
Q <sub>ms</sub>	4.3
Q <sub>ts</sub>	0.26
V <sub>as</sub>	22.0 dm <sup>3</sup> (0.78 ft <sup>3</sup> )
S <sub>d</sub>	320.0 cm <sup>2</sup> (49.6 in <sup>2</sup> )
η <sub>o</sub>	1.6 %
X <sub>max</sub>	± 6.0 mm
X <sub>var</sub>	± 5.5 mm
M <sub>ms</sub>	47.0 g
Bl	18.3 Txm
Le	0.65 mH
EBP	218 Hz

## MOUNTING AND SHIPPING INFO

Overall Diameter	261 mm (10.28 in)
Bolt Circle Diameter	245 mm (9.6 in)
Baffle Cutout Diameter	230.0 mm (9.1 in)
Depth	113 mm (4.4 in)
Flange and Gasket Thickness	13 mm (0.5 in)
Air Volume Occupied by Horn	1.5 dm <sup>3</sup> (0.05 ft <sup>3</sup> )
Net Weight	2.9 kg (6.4 lb)
Shipping Units	1
Shipping Weight	3.5 kg (7.7 lb)
Shipping Box	295x314x175 mm (11.61x12.36x6.89 in)

## SERVICE KIT

Recone kit	RCK10NW648
------------	------------

B&C Speakers s.p.a.

Via Poggiomoro, 1 - Loc. Vallina, 50012 Bagno a Ripoli (FI) - ITALY - Tel. +39 055 65721 - Fax +39 055 6572312 - mail@bcspeakers.com

1. 2 hours test made with continuous pink noise signal within the range  $F_s$ - $10F_s$ . Power calculated on rated minimum impedance. Loudspeaker in free air.
2. Power on Continuous Program is defined as 3 dB greater than the Nominal rating.
3. Applied RMS Voltage is set to 2.83 V for 8 ohms Nominal Impedance.
4. Thiele-Small parameters are measured after a high level 20 Hz sine wave preconditioning test.